

### 50 mm VANDALPROOF TRACKBALLS

#### TBS50- SBS50

This range is highly ruggedized and designed for harsh industrial applications, kiosk consoles, navigation controls, etc... This trackball unit features a robust, vandalproof construction and all metal look : the carrier plate made of brushed stainless steel, a stainless steel ring protecting the trackball sealing and three anti-vandal stainless steel and IP65 sealed switches. The 50mm trackball unit itself can either have :

- a black phenolic resin ball for highest resistance to hostile impacts and to scratches and with a sealing grade of IP65 static. Type TBS50F2
- a stainless steel ball for styling (complete stainless steel appearance) with a sealing grade to IP54. Type SBS50F2



#### SPECIFICATIONS

Sealing : IP65 static  
 Carrier plate : brushed stainless steel  
 Ball diameter : 50,8 mm  
 Ball material : phenolic resin, black (TBS50F2)  
                                 stainless steel (SBS50F2)  
 Dimensions : 100 x 116 x 40 mm  
 Weight : 0,6 kg / 1 kg  
 Tracking force : nom. 50 grams (TBS50F2)  
                                 Nom. 100 grams (SBS50F2)  
 Lifetime : >= 2 million ball revolutions  
 Cable : shielded, straight 1,6 m long  
 Operating temperature range : -10°C to +60°C  
 Storage temperature range : -25°C to +80°C

#### Push button switches

Sealing : IP65  
 Material : stainless steel, brushed  
 Mechanical life : 1 mil. cycles min  
 Contacts : gold plated  
 Travel : 1,3mm  
 Operating force : 4N typ  
 Operating temperature : -20°C to +60°C

CE : compliant to EMC Directive 89/336/EEC for Electromagnetic Compatibility. Low Voltage Directive 73/23/EEC not applicable for our trackballs.

#### CONNECTIVITY

These combo PS/2 & USB trackball units have a 1,6 meter long shielded straight cable ended by a USB type A plug. An adaptor to PS/2 is added. No special device driver is needed, use standard available drivers of your operating system.

\* Due to the increasing differences of the PS/2 mouse port specifications of the various PC manufacturers, we do recommend that this unit should be tested on the final PC configuration and operating system prior to installing it in series.

#### ORDER INFO

|          | Phenolic Resin Ball   | Stainless Steel Ball |
|----------|-----------------------|----------------------|
| Standard | <b>TBS50 F2</b>       | <b>SBS50 F2</b>      |
|          | <b>TBS50 F2 - BT1</b> | -                    |

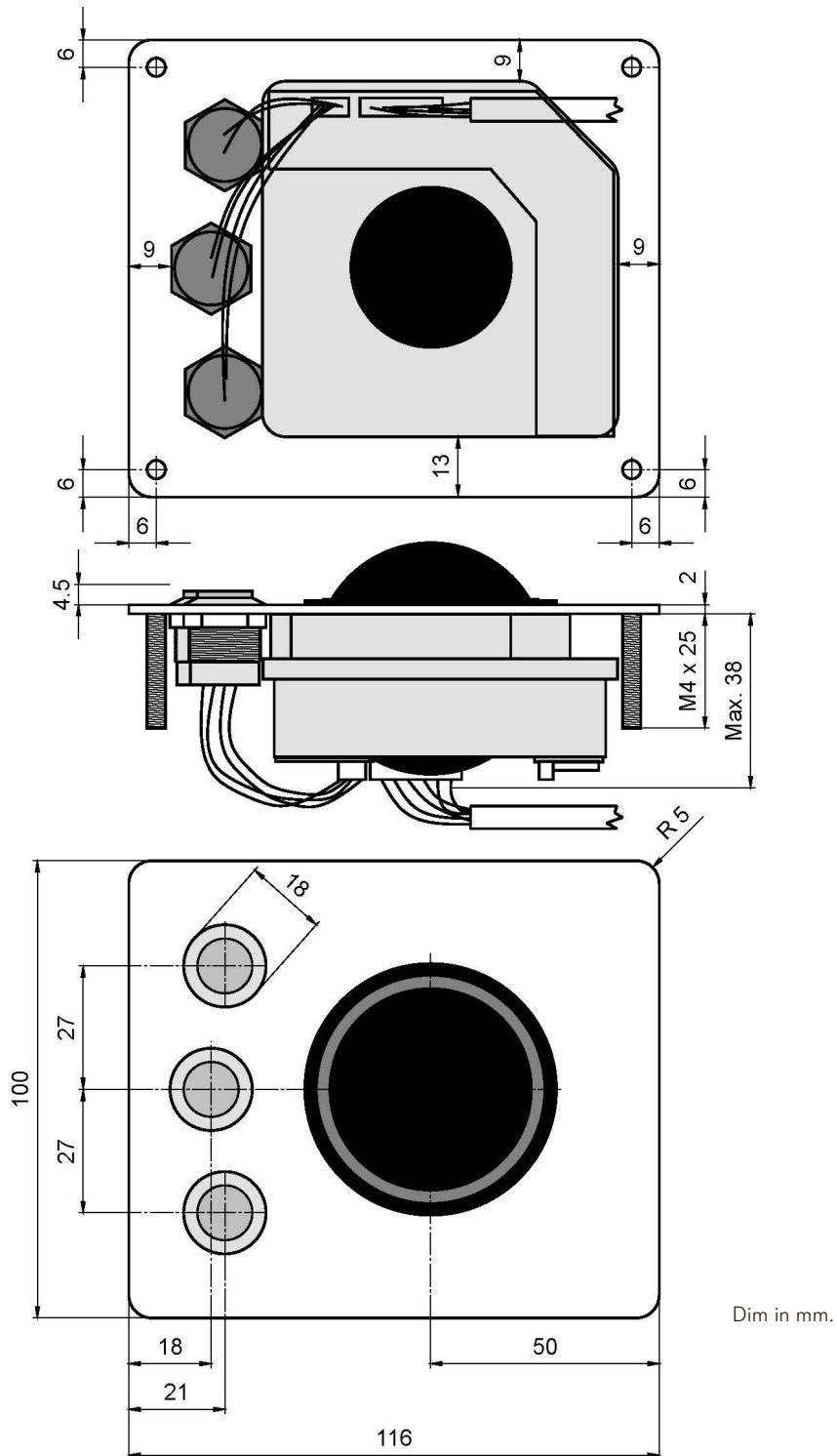
Output : PS/2 & USB Combo



Option : The TBS50F2 can be supplied with a black coated stainless steel topplate.

### 50 mm VANDALPROOF TRACKBALLS

#### DIMENSIONAL DRAWING



The company reserves the right to alter without prior knowledge the specification or design of any standard product or service.